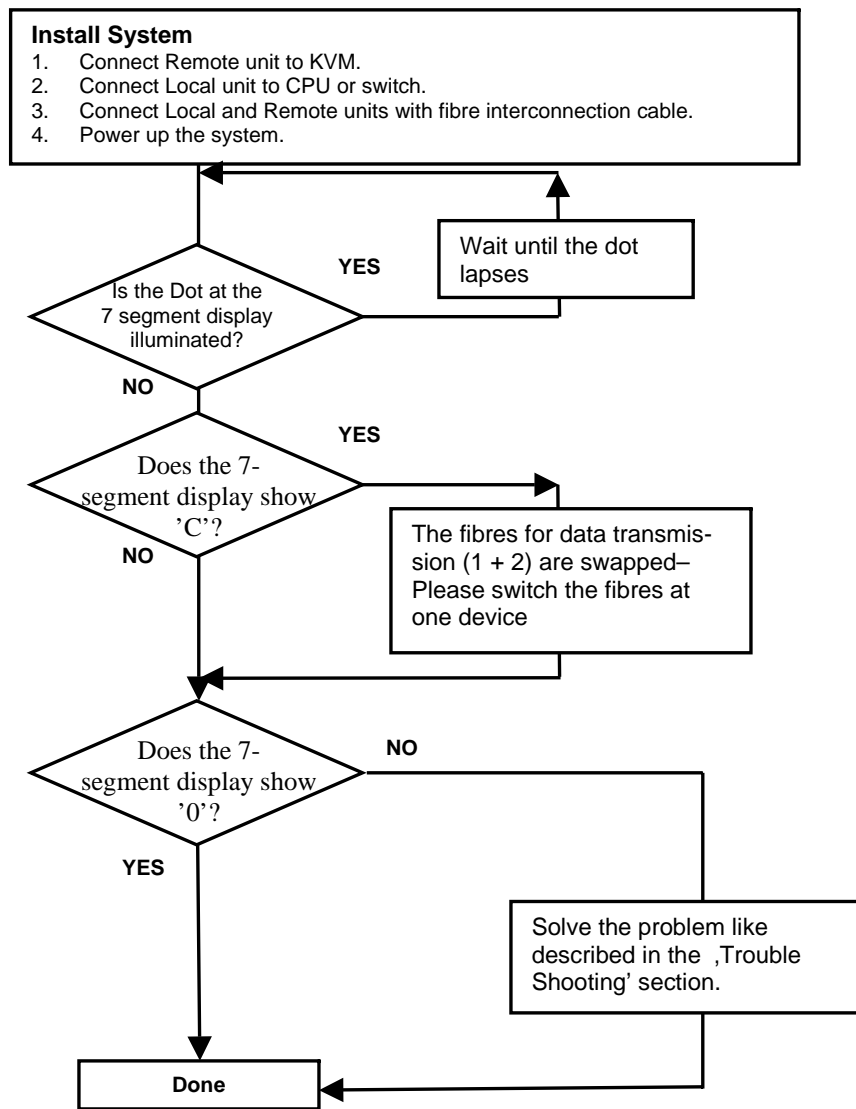


1 Quick Setup

This section briefly describes how to install your KVM extender system and optimise the video signals. Unless you are an experienced user, we recommend that you follow the full procedures described in the rest of this manual. The manual can be downloaded on http://www.ihse.de/pdf/b235-9w_e.pdf



2 Installation

For first-time users, we recommend that you carry out a test placement, confined to a single room, before commencing full installation. This will allow you to identify and solve any cabling problems, and experiment with the KVM extender system more conveniently.

2.1 Package Contents

You should receive the following items in your extender package:

- VTO2/VRO2 V6.00 KVM-Extender (Local Unit + Remote Unit).
- VGA CPU cable, ZIP type 1,8m (HD15 male / HD15 female, 2x PS2 male / PS2 male) with device K234-9W + K235-9W
- VGA CPU-cable 1,8m (HD15 male / HD15 female) with device K236-9W
- Audio CPU-cable 1,8m (3,5mm Stereo Jack / 3,5mm Stereo Jack) with device K234-9W
- serial CPU-cable 1,8m (DB9 female / DB9 male) with device K234-9W
- 2x 6V DC universal p.s.u
- 2x power cord.
- manual (Quick Setup).

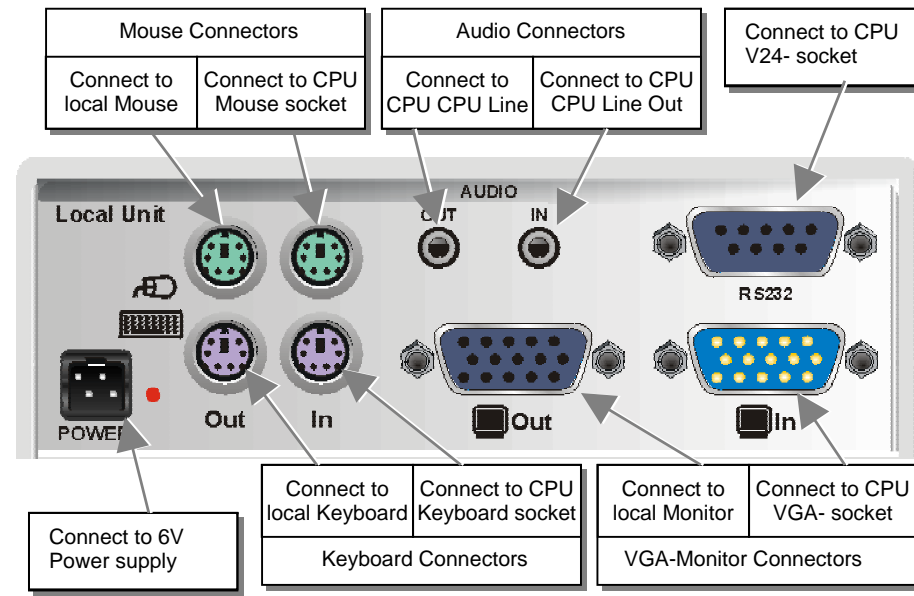
If anything is missing, please contact Technical Support

2.2 System Setup

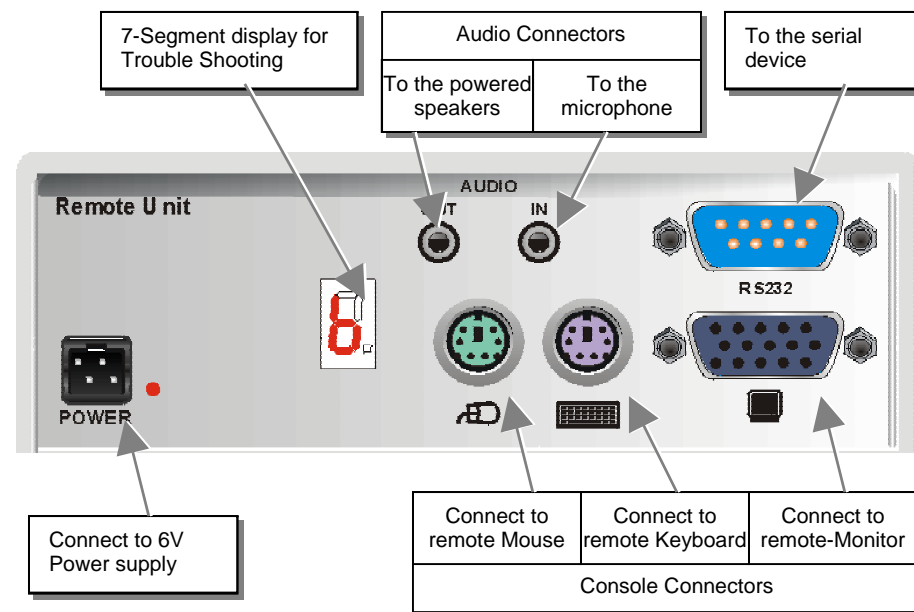
To install your VTO2/VRO2 V6.00 KVM-Extender system:

1. Switch off all devices.
2. Connect your keyboard, monitor, mouse, audio device and serial device to the Remote unit (depending on type of device). Ensure that you attach the keyboard and mouse connectors to the correct ports. The keyboard connector is purple; the mouse connector is green.
3. Connect the CPU to the Local Unit, using the supplied CPU cable. Ensure that you attach the keyboard and mouse connectors to the correct ports. The keyboard connector is purple; the mouse connector is green.
4. Connect the 6V power supply to power the unit.
 - ⚠ Only use the power supply originally supplied with this equipment or a manufacturer-approved replacement.
5. For a dual access system, connect the keyboard, mouse and monitor for the Local console to the appropriate ports on the Local unit. The ports may also be used to feed into a KVM switch.
6. Connect the Interconnection cable (Multimode Fibre Cable) from the Remote unit to the INTERCONNECT socket on the Local unit. Ensure that you attach the fibre connectors to the correct ports. R goes to R, G to G, B to B, 1 to 1 and 2 to 2.
7. Power up the system.

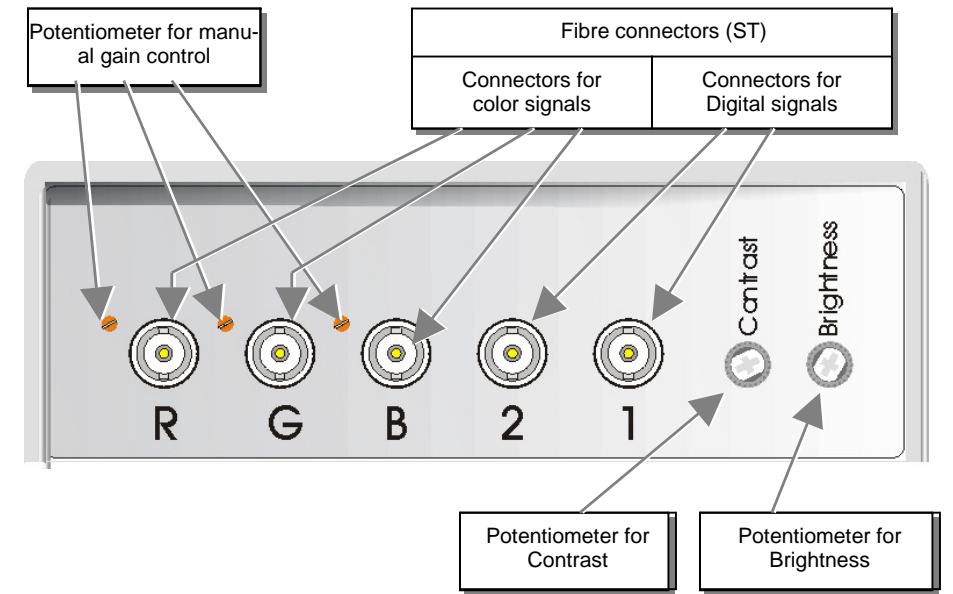
3 Device View (depending on device type)



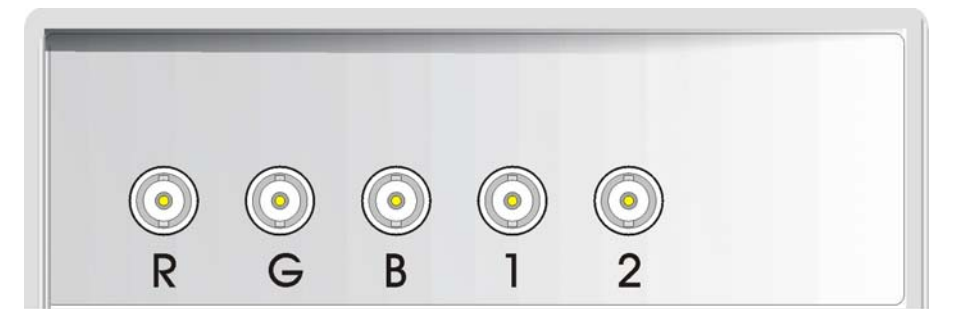
VTO2/VRO2 V6.00 KVM-Extender Local Unit



VTO2/VRO2 V6.00 KVM-Extender Remote Unit



VTO2/VRO2 V6.00 KVM-Extender Remote Unit



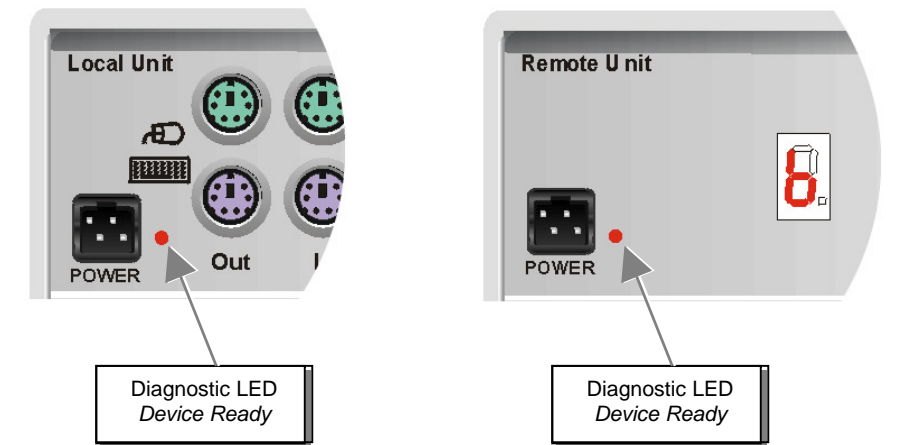
VTO2/VRO2 V6.00 KVM-Extender Local Unit

3.1 Diagnostic and Adjustments

Each VTO2/VRO2 V6.00 KVM-Extender is fitted with a indicator LED *Device Ready* and a 7-Segment display for enhanced Trouble Shooting: The *Device Ready* LED's are next to the Power sockets. The 7-Segment display is next to the Power socket of the remote unit.

On each VTO2/VRO2 V6.00 KVM-Extender you can adjust Brightness and Contrast manually. In addition, each colour can be adopted manually (only with automatic gain control – AGC = OFF). The Potentiometer to adjust Brightness and Contrast are to the right of the fibre connectors at the remote unit. The 7- Segment display is next to the Power socket of the remote unit.

The location of the LED's is shown below:



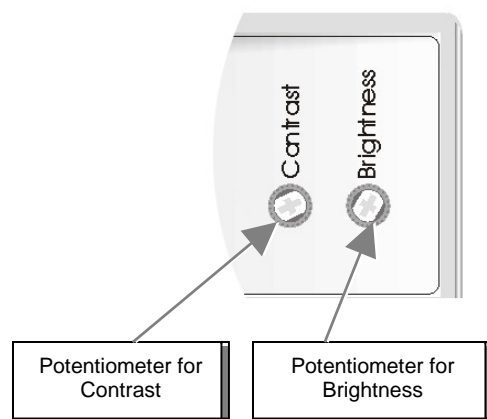
Diagnostic- LED's on VTO2/VRO2 - Extender

LED	Appearance	Diagnostics
Device Ready (Red LED)	Off	Device not ready
	On	Device ready

7-Segmentanzeige on VTO2/VRO2 - Extender

7-Segment display	Diagnostics	Possible cause of fault
0	Only in mode „AGC-ON” NO error	NO error detectable
.	Only in mode „AGC-ON” illuminated	NO error detectable: Processor adjusts the color amplifying (AGC)
b	Blank-pulse is missing	Problem with the GREEN fibre
C	Data interface (receiving) deranged	- Problem with the '1' fibre - Problem with the Local Unit - „1“-Fibre and „2“- Fibre swapped
F	Contrast is adjusted too high	The gain of the contrast potentiometer is adjusted too high. Automatic Gain Control (AGC) is not longer possible. Please readjust to lower gain.
H	HSYNC signal is missing	- Problem with the GREEN fibre - Problem with the CPU cables - Wrong jumper setting in the local unit
U	VSYNC signal is missing	- Problem with the BLUE fibre - Problem with the CPU cables - Wrong jumper setting in the local unit

The location of potentiometers for brightness/contrast control is shown below:

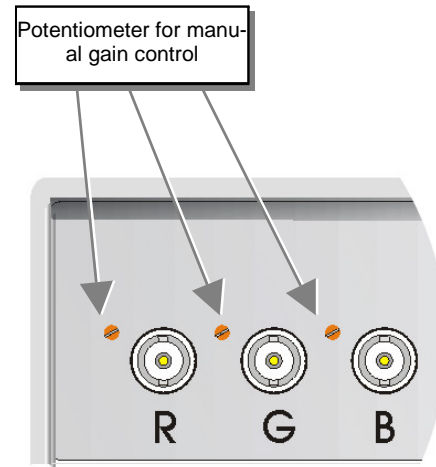


On each VTO2/VRO2 V6.00 KVM-Extender you can adjust Brightness and Contrast manually. You'll find the potentiometers to the right hand of the fibre connectors at the remote unit. Please use these potentiometers for a common adjustment of all colours simultaneously. Use these possibilities for normal adjustments.



If the gain of the contrast potentiometer is adjusted too high, the Automatic Gain Control (AGC) is not longer possible. Please readjust to lower gain until the „F“ on the 7- Segment display lapses.

The location of potentiometers for manual gain control is shown below:



4 Troubleshooting

There isn't a picture

Check the power supply connection at the Local unit. Is the *Device Ready* (Red LED) at the Local and Remote unit illuminated? If not, the internal power-supply may be damaged or there may be an internal error.

Check that the Interconnection cable is connected at the Local Unit and the Remote Unit. Check the 7 segment display for error codes.

There may be one or more broken fibres. Do NOT look into a fibre's end directly while it is connected to a Local or Remote unit! Check for broken fibres using a flashlight.

Are the cables of the recommended fibre type? If you used your own fibre optical cable (not supplied by us), please ensure that you have used 50µ or 62.5µ fibres. Other fibre-types and poly-fibres are not supported. Be sure, to have the Cable type jumper set accordingly.

Either HSYNC or VSYNC is missing, because of this, the power save function is enabled (EPA or TCO): Are the fibres for R, G, B swapped?

Running picture

The Monitor does not synchronize: Are the fibres for R, G, B swapped?

Keyboard, as well as Mouse does not work

You have swapped the 1- and 2-fibre.

The fibres 1 and/or 2 are not connected to the local or remote unit.

There may be one or more broken fibres. Do NOT look into a fibre's end directly while it is connected to a Local or Remote unit! Check for broken fibres using a flashlight.

Are the cables of the recommended fibres type? If you used your own fibre optical cable (not supplied by us), please ensure that you have used 50µ or 62.5µ fibres. Other fibre-types and poly-fibres are not supported. Be sure, to have the Cable type jumper set accordingly.

VTO2/VRO2 V6.00 KVM-Extender

Type :
K234-9W
K235-9W
K236-9W

(Quick Setup)